

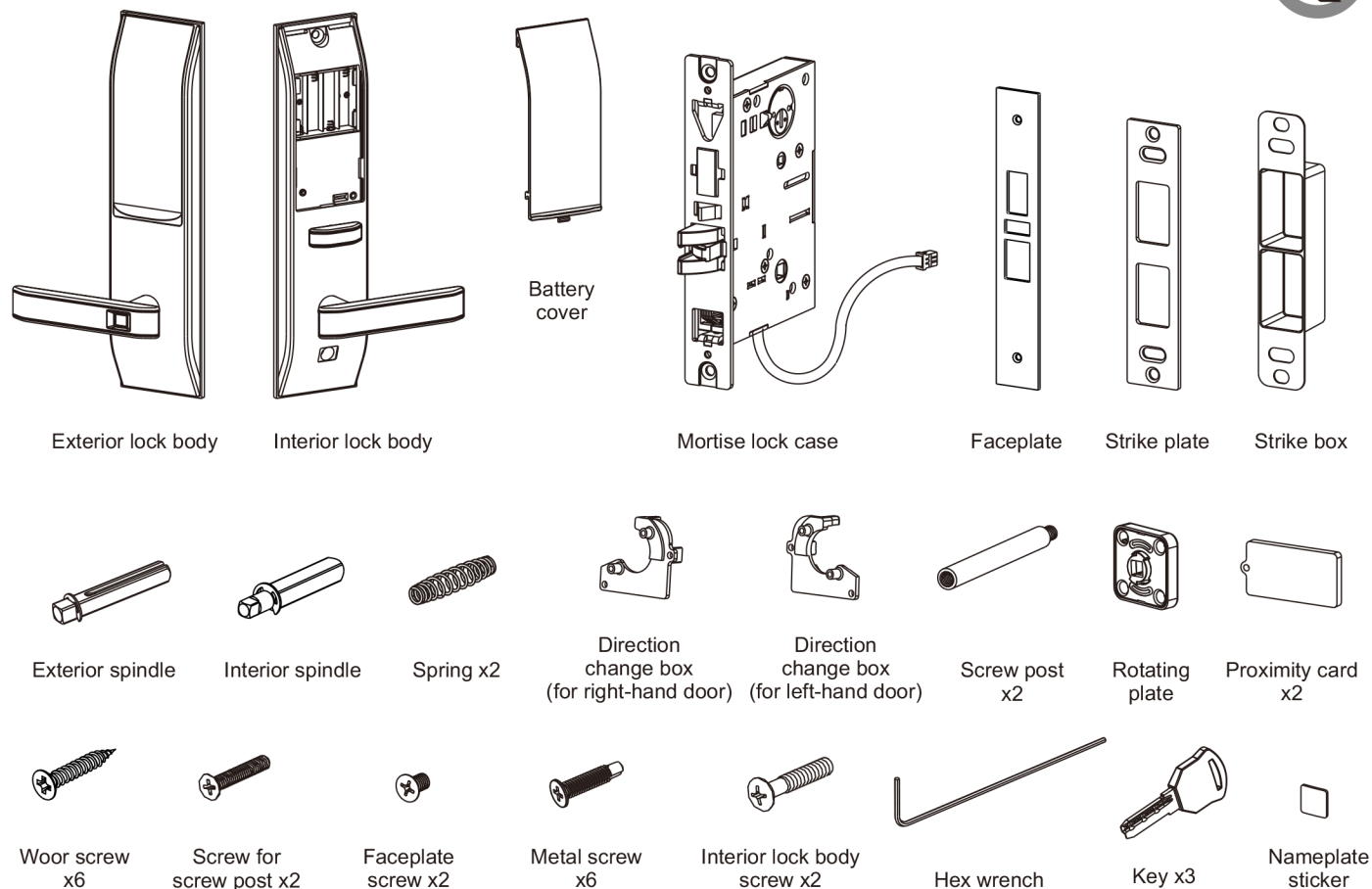
SR-01 Smart Door Lock Installation Instruction

SR-01

SR-01

(in all illustrations a right-hand door is the example)

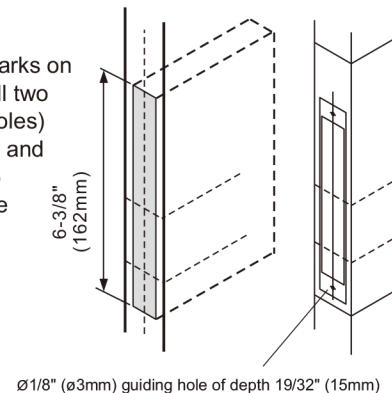
Do not use an electric screwdriver when installing this product



If any of the parts mentioned above is broken or lost, please, contact your local distributor. The description above is only a reference material related to the quantity of the parts, we don't separately inform about any specification change.

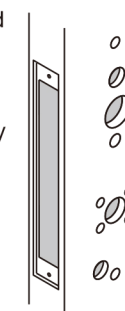
3. Door Edge Drilling

- Following the marks, drill 2 holes, 1" (25.4mm) in diameter and 4-17/32" (115mm) deep on the door edge and then, based on the positions of the 2 holes, chisel out a rectangular groove (the line segments on the paper template) 1" (25.4mm) in width, 6-3/8" (162mm) in height and 4-17/32" (115mm) deep for the installation of the lock case.
- Following the paper template, cut a groove 1-5/16" (33mm) in width, 8-1/32" (204mm) in height and 1/4" (6.5mm) deep on the door edge to provide a level door edge surface once the faceplate is installed.
- Finally, following the marks on the paper template, drill two guiding holes (screw holes) 1/8" (3mm) in diameter and 19/32" (15mm) deep to complete the door edge drilling.



4. Door Face Drilling

Following the markings of the paper template and the size requirements, drill the holes for the lock cylinder, the thumb turn, and the lever and six other penetrating holes. Please be sure to drill from the inside out and the outside in respectively to prevent burrs and other damage to the door.

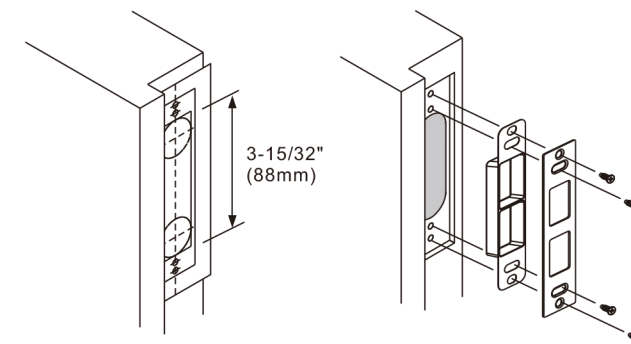


5. Strike Plate Installation

- Swing the door almost closed up to the door jamb and draw the latch centre line on the door jamb to match the latch centre line on the door.
- Place the strike paper template onto the door jamb, aligning it to the latch centre line, and mark the centres of the holes on the door jamb as specified by the paper template. Following the markings, drill 2 holes, 1" (25.4mm) in diameter and 1-1/8" (29mm) deep, on the door jamb and then chisel out a rectangular groove (the line segments of the strike paper template) 1" (25.4mm) in width, 3-5/16" (84mm) in height and 1-1/8" (29mm) deep based on the positions of the 2 holes.
- At the position specified by the paper template, cut a groove 1-5/16" (33mm) in width, 4-7/8" (124mm) in height and 5/32" (4mm) deep on the door jamb to provide a level surface on the door jamb once the strike is installed. Finally, following the markings, drill 2 guiding holes, 1/8" (3mm) in diameter and 19/32" (15mm) deep, to fasten the strike with strike screws (for a metal door, metal screws can be used to fasten the strike).

ATTENTION:

- Use only the original strike plate to prevent malfunction of automatic locking as a result of the security latch's inability to depress.
- In case you are not sure of the right positioning of the strike plate, a screw can be placed at the elliptic hole of the strike plate. After the finishing the installation of the lock, and confirming the correct functioning of the latch, you can place another screw at the round hole of the strike plate.



6. Lock Case Installation

- First, insert the upper and lower wires into the door's groove and then pull them out through the penetrating holes above and below the groove on the interior side.
- Insert the lock case into the groove, gently pulling the wires at the same time without breaking them, and then position the reinforce plate as illustrated, fastening the latch tightly with lock case screws (for a metal door, metal screws can be used instead to fasten the latch).
- Place the faceplate on the top and lock it with the two faceplate screws.

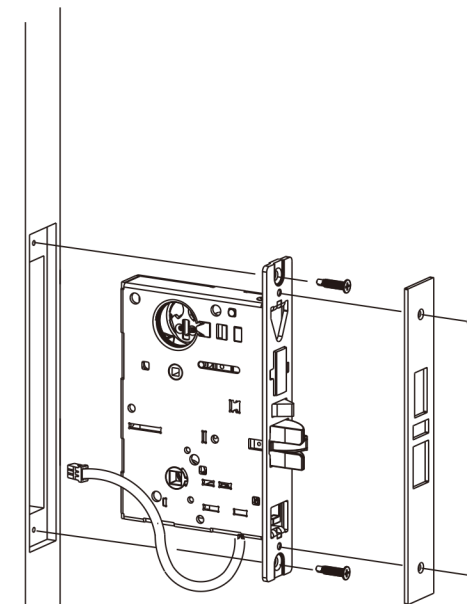
ATTENTION:

Avoid the wood dust or metal dust entering the lock system.

Upper wire exit hole

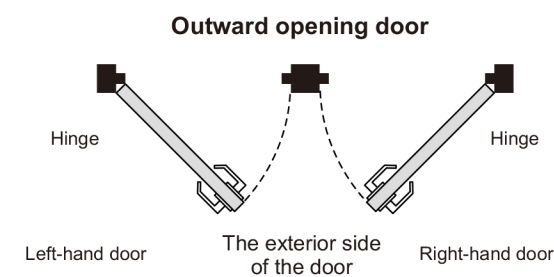
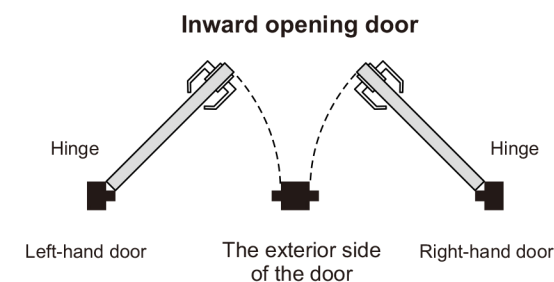
Lower wire exit hole

The interior side



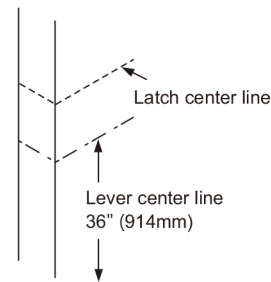
How to Identify Door Opening Direction

Regardless whether the door opens inward or outward, you should take "the exterior side of the door leaf" as a reference. The door opening direction can be identified according to the hinge location.



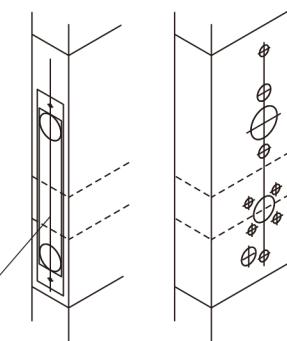
1. Backset Determination

Measure for the lever center line on the door and door edge 36" (914mm) above the floor and then draw out the latch center line according to the paper template.

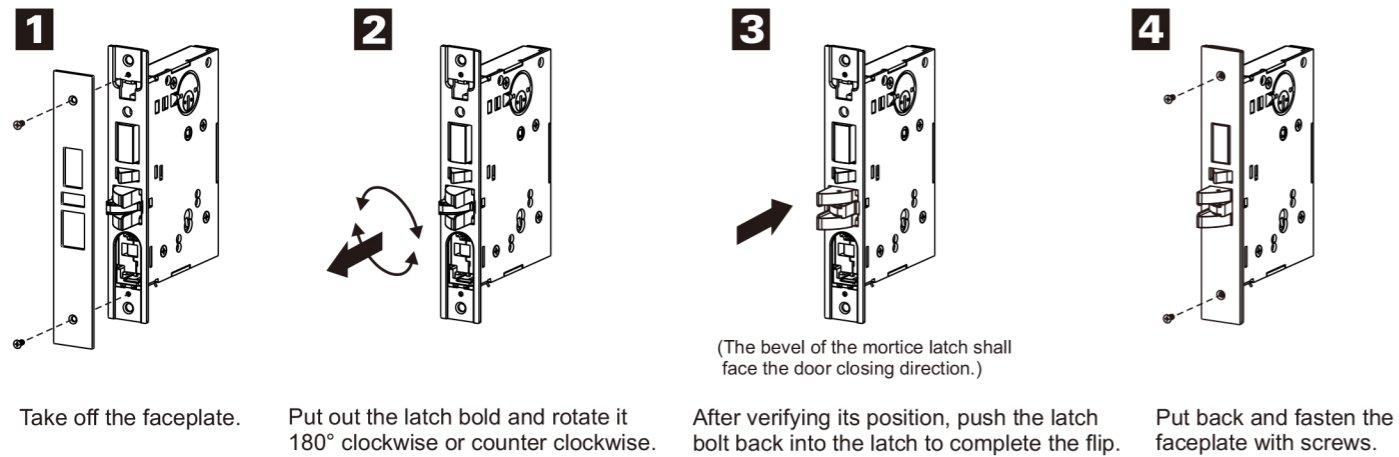


2. Mark the Door with Template

Following the paper template, determine whether the door is right or left-handed, and then place the appropriate paper template to the door and door edge, aligning with the latch center line and the lever center line (as illustrated), and marking of the hole centers.



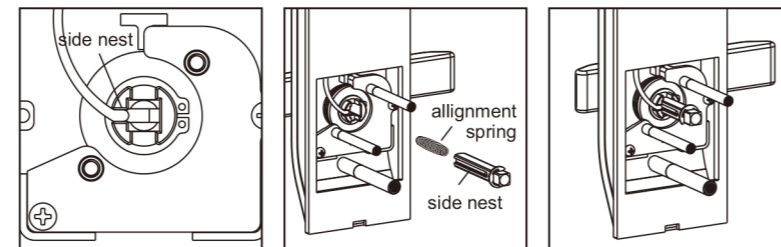
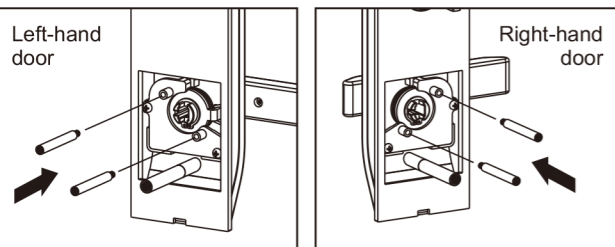
Flipping the latch bolt (please, refer to Step 2 and 3 if the direction of the latch bolt is to be flipped during assembly.)



7. Exterior Lock Body Installation

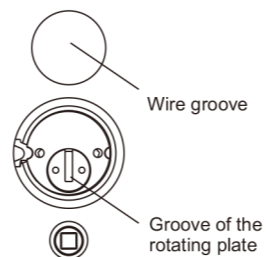
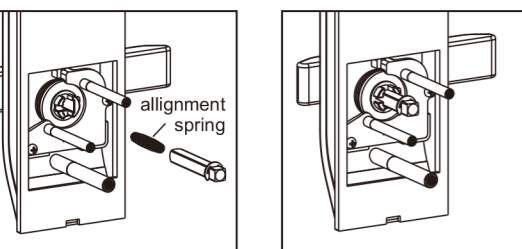
1. According to the door opening direction, install the two screw posts, at the two diagonal holes of the exterior side of the lock system.

2. (Skip this if you lock doesn't have fingerprint access system)
Place all the wires of the door handle inside the side nest, then press the alignment spring into the door handle, align the grooving of the spindle with the door handle nest, apply pressure to lock the spindle.



3. (Skip this if you lock doesn't have fingerprint access system)
According to the illustration below, place the alignment spring into the door handle, and place the spindle after.

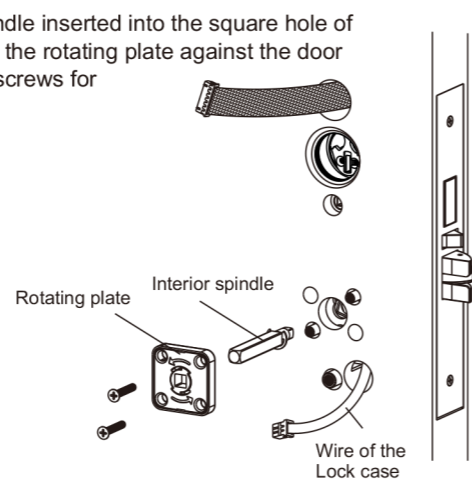
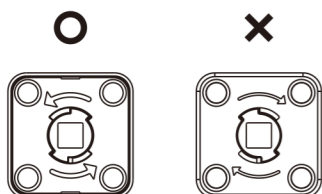
4. Insert the wires into door's groove inside the room, install the rotation plate into the vertical slot of the lock system, at the same time, insert the exterior spindles into the four holes of the door handle, connect the screw posts with the door handle.
ATTENTION: as the exterior lock body is not set up yet, please avoid the falling of the lock system.



8. Installing Interior Spindle

1. Adjust the direction of the arrow on the rotating plate so that it points to the end of the lever and then insert the interior spindle into the rotating plate as illustrated.

2. With the interior spindle inserted into the square hole of the lock case, press the rotating plate against the door and fasten it with 2 screws for screw posts.



9. Interior Lock Body Installation

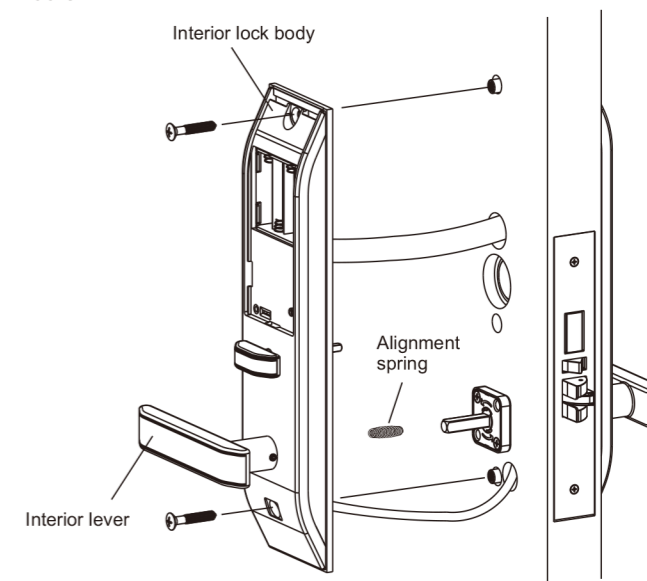
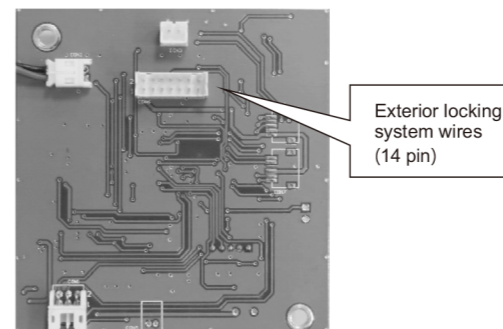
1. Place the spring in the square holes of bottom of the interior handle, connect the 2 sets of cables, 14 pin cable from exterior lock body, and 6 pin cable from latch with the PCB of interior lock body, tuck the spares into the spare cable holes, two sides of the lock system, at the bottom and the other suitable areas.

2. Keep the interior lever horizontal as illustrated, aim the square hole at the interior spindle. Meanwhile, point the turn piece stem to the square hole of Latch and fix the interior lock body with 2 mounting screws.

ATTENTION: The connector of the cable is direction-specific. If unable to connect it, please change the direction and try again.

Attention:

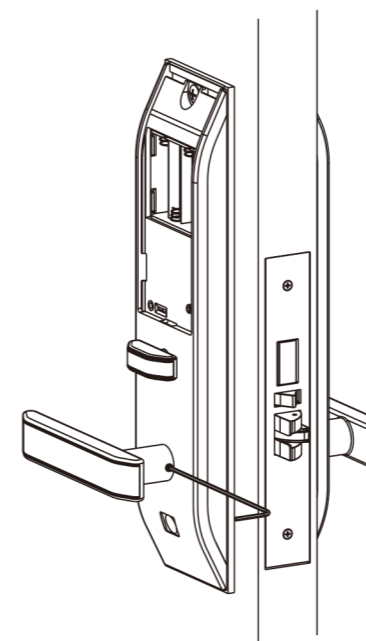
1. Alignment spring shall be placed inside of the interior lever.
2. None of the cables cannot be pinned under the interior lock body nor pierced by the screws.
3. If the interior lock gasket is separated, please press the gasket on the upper and lower side of the lock body first, and at last in the middle.



10. Securing The Interior Lever

Use the hex wrench provided to fasten the screws on the axes of the interior and exterior levers.

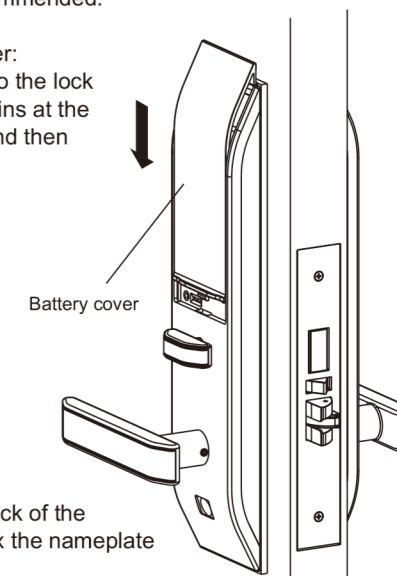
ATTENTION: If the door handle cannot be pushed down, the direction of the direction change box is wrong. Unscrew the screws at the bottom of the lock, and dismantle the direction change box, install the direction change box in the opposite direction, and re-install the door locking system as said in the previous points.



11. Battery Installation

1. Place 4 AAA/1.5V batteries into the battery holder on the top of the lock body in correct orientation as marked on the battery holder. Alkaline batteries are recommended.

2. Replacing the battery cover: press the battery cover into the lock body by first aiming its 2 pins at the 2 holes of the lock body and then push down.



3. Remove the film on the back of the nameplate sticker and affix the nameplate at the indicated position.

